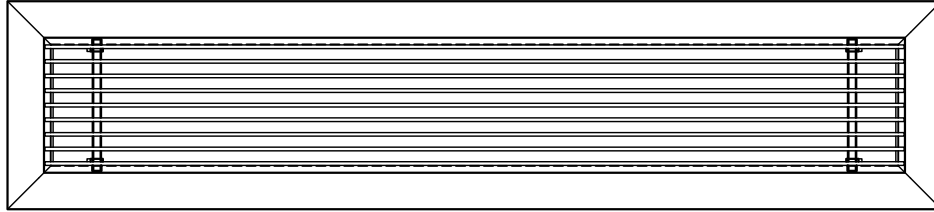


LBMH - LINEAR BAR GRILLES (MANDREL TUBE)



CORE STYLES

1/4" SPACING	1/2" SPACING		7/16" SPACING PENCIL PROOF
1/8" BARS	1/8" BARS	7/32" BARS	7/32" BARS
<p>□ 15A</p>	<p>□ 15B</p>	<p>□ 25B</p>	<p>□ 25C</p>
<p>□ 16A</p>	<p>□ 16B</p>	<p>□ 26B</p>	<p>□ 26C</p>
		<p>□ 27B</p>	<p>□ 27C</p>

NOTES:

- EXTRUDED ALUMINUM CONSTRUCTION.
- B12 WHITE (OPTIONAL FINISHES AVAILABLE)
- BARS ARE PARALLEL TO LONG DIMENSION (STANDARD CONSTRUCTION)
- CORE FIXED IN PLACE WITH CORE CLIPS
- MAXIMUM SECTION LENGTH IS 72"(1829mm).
- SECTIONS CAN BE JOINED FOR CONTINUOUS APPEARANCE.
- SCREW MOUNTING HOLES PER FACTORY STANDARD.
- FACTORY TOLERANCE: ± 1/32"(1mm).
- MAXIMUM NOMINAL WIDTH WITH DV1 BLADES IS 12"(305mm).
- MAX. SINGLE UNIT WIDTH IS 48"(1219mm).
- MAX. WIDTH 30"(762mm) FOR CORE ONLY.
- UNITS WIDER THAN 24"(610mm) REQUIRE ADDITIONAL STRUCTURAL SUPPORT DESIGNED AND INSTALLED BY OTHERS.
- LBMH IS NOT DESIGNED TO WITHSTAND LOADS FROM MECHANICAL EQUIPMENT SUCH AS CARTS, FORKLIFTS, ETC.
- CORE ONLY REQUIRES ADDITIONAL STRUCTURAL SUPPORT BY OTHERS.



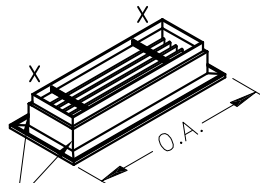
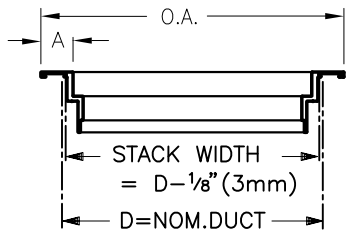
SCAN FOR LINK TO ADDITIONAL PRODUCT INFORMATION AND INSTALLATION INSTRUCTIONS

ALL METRIC DIMENSIONS () ARE SOFT CONVERTED. IMPERIAL DIMENSIONS ARE CONVERTED TO METRIC AND ROUNDED TO THE NEAREST MILLIMETER.

PROJECT:		PRICE®	
ENGINEER:			
CUSTOMER:		210586	LBMH LINEAR BAR GRILLES MANDREL TUBE CONSTRUCTION
SUBMITTAL DATE:	SPEC. SYMBOL:	2022/10/31	

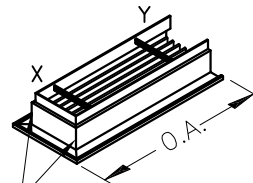
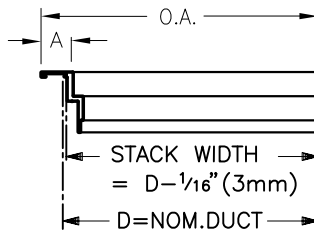
END CONDITION

X - X MITRED END
MITRED BOTH ENDS



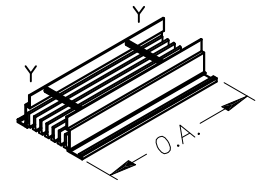
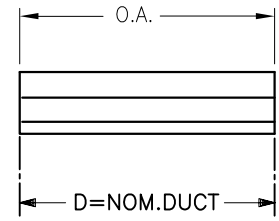
WELD BUILD-UP
MAX. 1/16" (2mm)
AT CORNERS

X - Y MITRED - OPEN END
ONE MITRED, ONE OPEN END



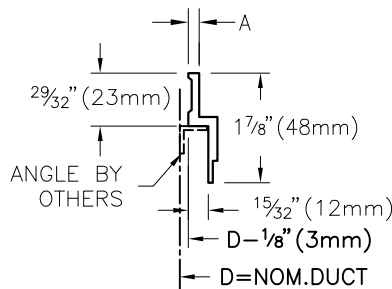
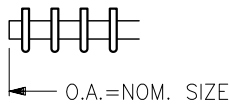
WELD BUILD-UP
MAX. 1/16" (2mm)
AT CORNERS

Y - Y OPEN END
OPEN ENDS FOR SPLICING

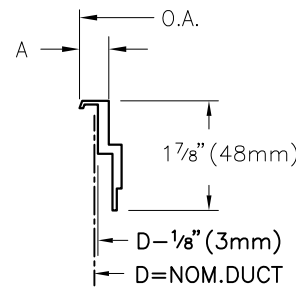


BORDER OPTIONS

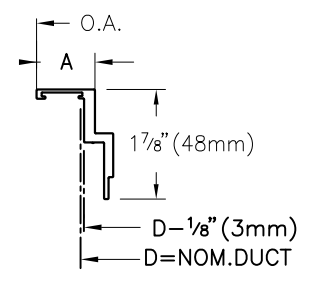
CORE ONLY



- 125**
- 187**



- 500**



- 1250**
- 1000**
- 750**

BORDER STYLE	BORDER WIDTH (A)	OVERALL (O.A.) X-X	OVERALL (O.A.) X-Y	OVERALL (O.A.) Y-Y
<input type="checkbox"/> 1250	1 1/4" (32mm)	D + 2" (51mm)	D + 1" (25mm)	NOM. DUCT
<input type="checkbox"/> 1000	1" (25mm)	D + 1 1/2" (38mm)	D + 3/4" (19mm)	NOM. DUCT
<input type="checkbox"/> 750	3/4" (19mm)	D + 1" (25mm)	D + 1/2" (13mm)	NOM. DUCT
<input type="checkbox"/> 500	1/2" (13mm)	D + 5/16" (8mm)	D + 5/32" (4mm)	NOM. DUCT
<input type="checkbox"/> 125	1/8" (3mm)	D - 1/8" (3mm)	D - 1/16" (1mm)	NOM. DUCT
<input type="checkbox"/> 187	3/16" (5mm)	D - 1/8" (3mm)	D - 1/16" (1mm)	NOM. DUCT
<input type="checkbox"/> CORE ONLY	N/A	NOM. DUCT	NOM. DUCT	NOM. DUCT

ALL METRIC DIMENSIONS () ARE SOFT CONVERTED. IMPERIAL DIMENSIONS ARE CONVERTED TO METRIC AND ROUNDED TO THE NEAREST MILLIMETER.

PROJECT:



ENGINEER:

Signature

CUSTOMER:

210586

SUBMITTAL DATE:

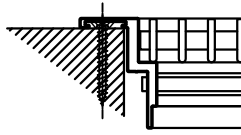
SPEC. SYMBOL:

2022/10/31

LBMH
LINEAR BAR GRILLES
MANDREL TUBE
CONSTRUCTION

FASTENING

A - COUNTERSUNK SCREW

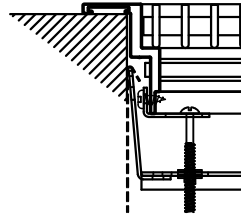


- FOR CEILING, WALL, & SILL APPLICATION. AVAILABLE WITH BORDERS 1000,1250

H - STRAIGHT HOLES

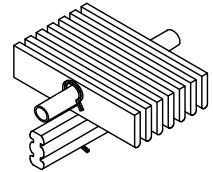
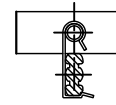
AVAILABLE ON 750 FRAME.

C - CONCEALED MTG BRKT



- FOR CEILING, SIDEWALL, FLOOR OR SILL APPLICATIONS. WITH CORE STYLES 15A, 16A, 26C OR 27C REMOVE CORE FOR ACCESS TO CONCEALED BRACKET.
- MAXIMUM WIDTH - 24" (610mm)

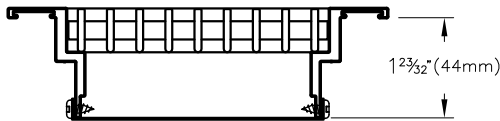
CORE CLIPS



- CORE CLIPS ARE SUPPLIED STANDARD ON ALL LBMH GRILLES

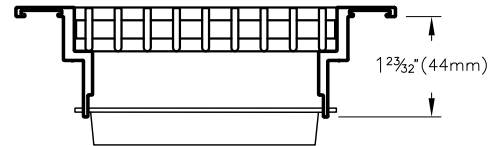
ACCESSORIES

MBL - BLANK OFF SECTIONS



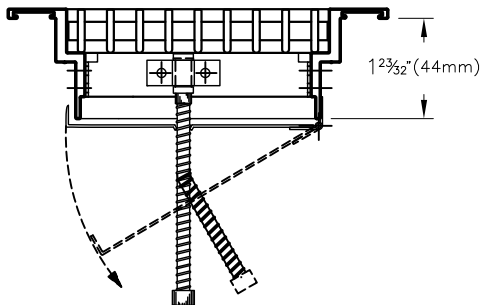
INACTIVE SECTION - USE BLANK OFF
- ORDER SEPARATELY

DV1 - DIRECTIONAL VANES



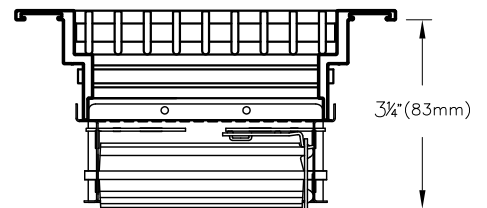
DV1 STRAIGHTENING VANES 1" (25mm) O.C.
MIN. WIDTH 2" (51mm)
MAX. WIDTH 12" (305mm)

VCS2



VCS2 FLAP DAMPER SCREW DRIVER OPERATOR
ON 3" (76mm) THROUGH 8" (203mm). FRICTION HINGE
ON 1 1/2" (38mm) THROUGH 2 1/2" (64mm)

VCS3



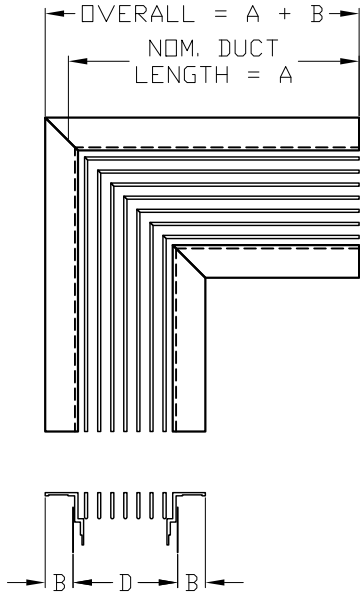
VCS3 OPPOSED BLADE DAMPER
MIN. DAMPER WIDTH = 2 1/2" (64mm)
MIN. DAMPER WIDTH = 3" (76mm) (FRAMES 125 & 187)

ALL METRIC DIMENSIONS () ARE SOFT CONVERTED. IMPERIAL DIMENSIONS ARE CONVERTED TO METRIC AND ROUNDED TO THE NEAREST MILLIMETER.

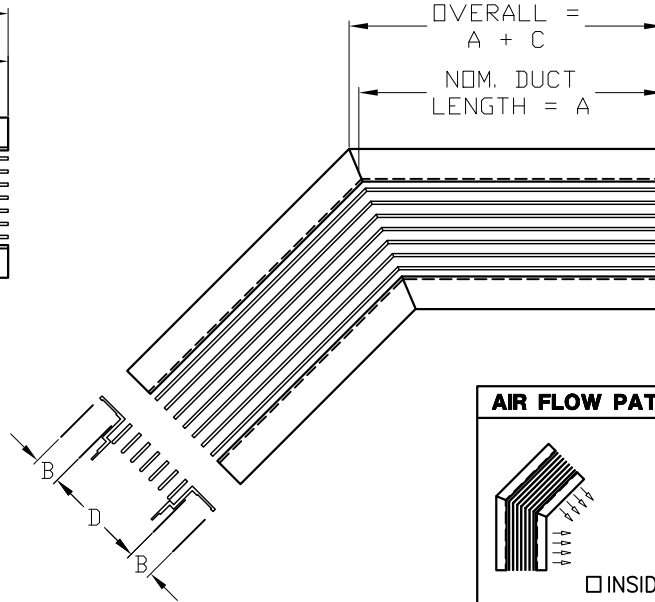
PROJECT:		PRICE®	
ENGINEER:		<i>MG</i>	LBMH LINEAR BAR GRILLES MANDREL TUBE CONSTRUCTION
CUSTOMER:			
SUBMITTAL DATE:	SPEC. SYMBOL:	2022/10/31	

MC90, MC135, MCSI AND MCSO MITRED CORNERS FOR LBMH

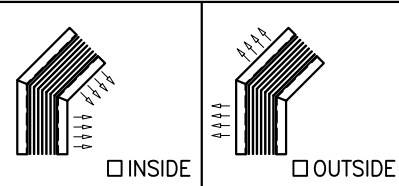
☐ **MC90** - 90° MITRED CORNER



☐ **MC135** - 135° MITRED CORNER



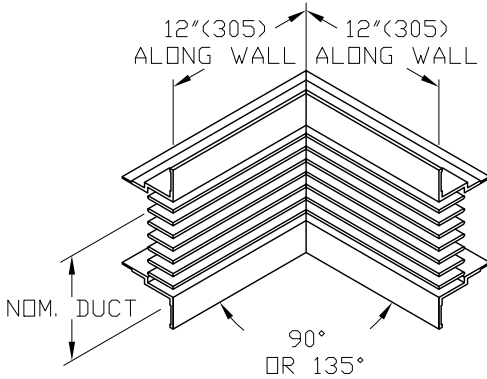
AIR FLOW PATTERN (135 SHOWN)



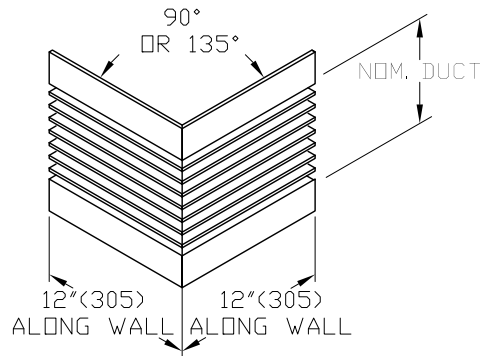
D = NOM. DUCT WIDTH	A
LARGER THAN 8" (203) TO 14" (356)	18" (457)
EQUAL TO OR LESS THAN 8" (203)	12" (305)

FRAME TYPE	B	C
1250	1" (25)	7/16" (11)
1000	3/4" (19)	5/16" (8)
750	1/2" (13)	7/32" (6)
500	5/32" (4)	1/16" (2)
187	-1/16" (2)	-3/32" (1)
125	-1/16" (2)	-3/32" (1)

☐ **MCSI** - MITRED CORNER SIDEWALL INSIDE



☐ **MCSO** - MITRED CORNER SIDEWALL OUTSIDE



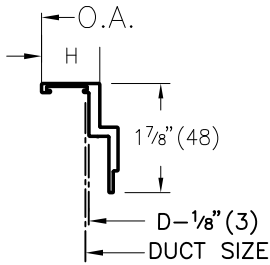
ALL METRIC DIMENSIONS () ARE SOFT CONVERTED. IMPERIAL DIMENSIONS ARE CONVERTED TO METRIC AND ROUNDED TO THE NEAREST MILLIMETER.

PROJECT:		PRICE®
ENGINEER:		
CUSTOMER:		266984
SUBMITTAL DATE:	SPEC. SYMBOL:	2016/07/05

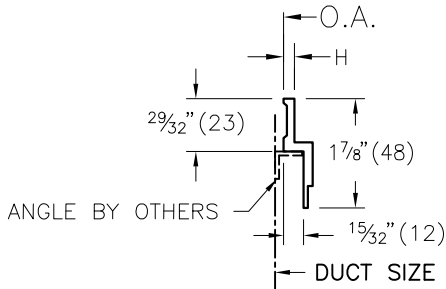
MC-LBMH
MITRED CORNER
LINEAR GRILLES
FOR LBMH

MC90, MC135, MCSI AND MCSO MITRED CORNERS FOR LBMH

BORDER OPTIONS



BORDER STYLE	BORDER WIDTH (H)	OVERALL (O.A.)
<input type="checkbox"/> 1250	1 1/4" (32)	D + 2" (51)
<input type="checkbox"/> 1000	1" (25)	D + 1 1/2" (38)
<input type="checkbox"/> 750	3/4" (19)	D + 1" (25)
<input type="checkbox"/> 500	1/2" (13)	D + 5/16" (8)



BORDER STYLE	BORDER WIDTH (H)	OVERALL (O.A.)
<input type="checkbox"/> 125	1/8" (3)	D - 1/8" (3)
<input type="checkbox"/> 187	3/16" (5)	D - 1/8" (3)

CORE STYLES

1/4" SPACING	1/2" SPACING		7/16" SPACING PENCIL PROOF
1/8" BARS	1/8" BARS	7/32" BARS	7/32" BARS
<p><input type="checkbox"/> 15A</p>	<p><input type="checkbox"/> 15B</p>	<p><input type="checkbox"/> 25B</p>	<p><input type="checkbox"/> 25C</p>
<p><input type="checkbox"/> 16A</p>	<p><input type="checkbox"/> 16B</p>	<p><input type="checkbox"/> 26B</p>	<p><input type="checkbox"/> 26C</p>
<p>15° DEFLECTION</p>	<p>15° DEFLECTION</p>	<p>15° DEFLECTION</p>	<p>15° DEFLECTION PENCIL PROOF</p>
<p>NOTES:</p> <ul style="list-style-type: none"> FOR FLAT MITRE WITH 16A, 16B, 26B, 26C, 27B AND 27C FLOW DEFLECTION MUST BE SPECIFIED. FACTORY TOLERANCE ± 1/32" (± 1mm) ANGULAR TOLERANCE ± 2° <p>FINISH:</p> <p><input type="checkbox"/> B12 WHITE (OPTIONAL FINISHES AVAILABLE)</p>	<p><input type="checkbox"/> 27B</p>	<p><input type="checkbox"/> 27C</p>	<p>30° DEFLECTION</p>
			<p>30° DEFLECTION PENCIL PROOF</p>

ALL METRIC DIMENSIONS () ARE SOFT CONVERTED. IMPERIAL DIMENSIONS ARE CONVERTED TO METRIC AND ROUNDED TO THE NEAREST MILLIMETER.

PROJECT:		
ENGINEER:		
CUSTOMER:		
SUBMITTAL DATE:		266984
SPEC. SYMBOL:		2016/07/05

MC-LBMH
MITRED CORNER
LINEAR GRILLES
FOR LBMH